

ARGUS® F200

B A S I C F I B E R T E S T E R

Sel. OPM

xPON-ID

Through Mode

GPON

XGS-PON

FTTH

FIT

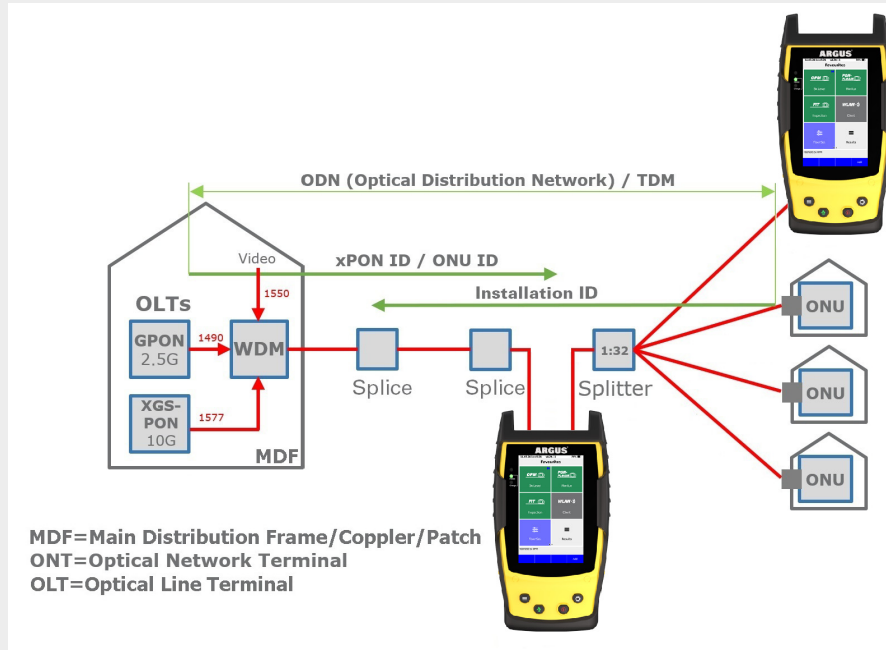
OLS

VFL

WLAN



data sheet: technical data subject to change.



ARGUS® F200: The basic fiber tester

The ARGUS® F200 is a specialized selective power meter, designed for use in GPON and XGS-PON networks.

Modern design and new housing concept

With its robust and even more compact design than its predecessors, the ARGUS® F200 is ideally suited to the demands of daily field service use. The device is equipped with a user-friendly touchscreen and the familiar intuitive ARGUS® menu navigation. Thanks to the freely configurable favorites feature, the most frequently used functions can be accessed even more quickly

Tests on mixed optical fiber accesses

The ARGUS® F200 supports measurements at three or optionally four or five wavelengths. The selective 4-fold powermeter can be switched into an existing PON connection in through mode, enabling the optical levels on the different downstream (OLT) and upstream (ONT) wavelengths for GPON and XGS-PON to be determined precisely at the same time. Other transmitters that may be on the line (so-called Alien-ONT) can be detected. In addition, the PON ID can be read from the PLOAM message. A PLOAM monitor scans all ONU IDs and serial numbers of connected ONTs on a PON branch. With the 5xOPM, a video overlay via five separate filters is also possible as an option.

Additional features

The ARGUS® F200 also features optional WLAN management and 2.4GHz wireless technology. In addition, the Fiber Inspection Tool can be connected via USB, which detects scratches and defects on optical fibers and displays them as a video image and in tabular form.

intec Gesellschaft für Informationstechnik mbH

intec Gesellschaft für Informationstechnik mbH has been successfully developing products for the international telecom markets for more than 35 years. Meanwhile specialized in highquality telecommunication measuring devices, we belong to the leading suppliers of fiber optic, G.fast, xDSL and IP measuring technology in Europe and beyond.

Our ARGUS® testers are ideal for developing and documenting new fiber optic infrastructure for the rapid expansion of modern optical networks. They simplify day-to-day work in the maintenance and testing of modern copper-based broadband interfaces as well as in the fiber-optic sector and support troubleshooting and fault location.

Our customers have appreciated the quality of our products and services for many years. This trust in our products has enabled us to supply more than 100,000 ARGUS® testers throughout the world during the last 20 years – a large majority of which have been delivered to international companies such as Deutsche Telekom, Vodafone, Telefonica, KPN or A1 Telekom Austria.

data sheet: technical data subject to change.



ARGUS® MADE IN GERMANY

Specifications Fiber Tests:

General:		Application, Settings + Results:	
Selective xPON-OPM for GPON / XGS-PON 3xOPM	<ul style="list-style-type: none"> Measuring range: <ul style="list-style-type: none"> 1577 & 1490 nm (filtered): from -40 to +6 dBm (max. power +18 dBm) 1270 to 1310 nm (broadband): from -50 to +13 dBm (max. power +18 dBm) 	<ul style="list-style-type: none"> Accuracy: ±0.5 dB Calibration conditions: -20 dBm, 23°C ±5 K Connector: SC/APC 	<ul style="list-style-type: none"> Readout of PON ID and XGS-PON ID* via SC/APC, detection up to: <ul style="list-style-type: none"> GPON ≥ -29 dBm XGS-PON ≥ -27 dBm <p>* The network must provide the ID for this.</p>
Selective Through Mode xPON-OPM for GPON/ XGS-PON 4XOPM opt. 5xOPM	<ul style="list-style-type: none"> Measuring range: <ul style="list-style-type: none"> Downstream (OLT socket): <ul style="list-style-type: none"> 1577 & 1490 nm (filtered): from -40 to +9 dBm (max. power +18 dBm) Upstream (ONT socket): <ul style="list-style-type: none"> 1310 & 1270 nm (filtered): from -35 to +10 dBm (max. power +18 dBm) opt. 1550 nm (filtered): from -40 to +16 dBm Accuracy: filtered ±0.5 dB 	<ul style="list-style-type: none"> Insertion loss: 1.5 dB Alien ONT detection (burst + permanent) Calibration conditions: -20 dBm, 23°C ±5 K Connector: 2x SC/APC (ONT + OLT) Readout of PON ID and XGS-PON ID* via SC/APC, detection up to: <ul style="list-style-type: none"> GPON ≥ -29 dBm XGS-PON ≥ -27 dBm 	<ul style="list-style-type: none"> Remote control of the OLS with switching of the wavelengths and transmission of the transmission power via TWIN mode (only in conjunction with OLS) <p>* The network must provide the ID for this.</p>
PLOAM Monitor	(Physical Layer Operation Administration and Maintenance) <ul style="list-style-type: none"> Scan of PLOAM messages Message trace with timestamp 	<ul style="list-style-type: none"> PLOAM sniffer directly on the fiber via PON socket (no replugging) for GPON and XGS-PON 	<ul style="list-style-type: none"> Resync counter Display of: <ul style="list-style-type: none"> ONU ID ONT serial number

External enhancements:

General:		Application, Settings + Results:	
Fiber Inspection Tool ext. Video Microscope	<ul style="list-style-type: none"> USB Microscope for the ARGUS optical Fiber Inspection manual Focusing with separate key optional: Autofocus digital Zoom 	<ul style="list-style-type: none"> Pass /Fail evaluation according to IEC 61300-3-35 min. Particle Size 0.5 µm Defects: Core, Cladding, Adhesive, Contact 	<ul style="list-style-type: none"> Scratches: Core, Cladding, Adhesive, Contact different Tips /Adapters included in scope of delivery PC, UPC, APC Single Mode /Multi Mode
VFL ext. Visual Fault Locator	<ul style="list-style-type: none"> Mini Visual Laser Source Output Power: 1 mW Detecting Range: about 5 km 	<ul style="list-style-type: none"> Wavelength: 650 nm Laser Level: Class 2 Connector: Un/FC 	<ul style="list-style-type: none"> Modulation Frequency: CW / 2 Hz Power Supply: 2 * AAA batteries
OLS ext. Optical Light Source	<ul style="list-style-type: none"> Wavelength: 1310 nm, 1490 nm, 1550 nm +1625 nm (± 20 nm) Stability: <ul style="list-style-type: none"> Short term (15 min): <ul style="list-style-type: none"> 1310 nm < ±0,05 dB 1490 nm < ±0,10 dB 1550 nm < ±0,05 dB 1625 nm < ±0,10 dB Long term (5 h): <ul style="list-style-type: none"> 1310 nm < ±0,10 dB 1490 nm < ±0,20 dB 1550 nm < ±0,10 dB 1625 nm < ±0,20 dB 	<ul style="list-style-type: none"> Connector: SC/APC with dust protection and protection against loss Spectral width: 5 nm Frequency: 270 Hz, 1 KHz, 2 KHz Power: -5 dBm ±0.5 dB Auto power off / backlight 	<ul style="list-style-type: none"> Power supply: 2x Ni-MH AA (2500 mAh), AC/DC charger Dimension (L x W x H): 160 x 76 x 45 mm Net weight: 270 g Accessories: AC/DC charger, 2 x AA battery, calibration report ARGUS® can be enhanced with an Optical Loss Test Set (separate option)

Further specifications:

General:		Application, Settings + Results:	
WLAN	WLAN Access Point Mode WLAN Client Mode IEEE 802.11b/g/n (2.4 GHz) <ul style="list-style-type: none"> WEP to WPA2 Personal 	<ul style="list-style-type: none"> WLAN Access Point Scan <ul style="list-style-type: none"> Number / List Access Points Number 2.4 GHz / 5 GHz Networks Network/Name (SSID) Signal Strength (RSSI) [dBm] Signal Quality [%] MAC Address of AP Used Channel/Frequency Used Protocol Negotiated Encryption Authentication Group Cipher, Pairwise Cipher 	<ul style="list-style-type: none"> AP Management (save etc.) Test Result Upload via Web Server, WebDAV and FTP Configuration Download via WebDAV and FTP Remote Control via VNC, Web Server <ul style="list-style-type: none"> Firmware Update via FTP Download

data sheet: technical data subject to change.

Documentation and Analysis

- **Documentation** of all parameters recorded to test reports (in device and on PC) via automatic access tests
- Transfer of test results via **QR code** to a smartphone or via **WLAN** to cloud (FTP server)
- Free of charge firmware updates via **cloud** or via **USB** (www.argus.info)
- **WLAN** for transf. test results to systems of an electronic order processing system, access point mode, remote control via smartphone

Device Specifications

Technical Features:	
• Power	Li-Ion battery pack or plug-in mains adapter
• Power management	User configurable
• Keypad	4 keys
• TFT colour display	800 x 480 pixels, backlit, incl. touchscreen
• 2 LEDs	Indicating the status
• ARGUSpedia	Integrated help function
• CE marking	Complies with CE directives
• User safety	Fulfills EN 62368-1
• RoHS conformance	Conformance according to WEEE directive
Interfaces:	
• USB client interface, USB host interface	Type USB-C (power), Type A
• WLAN	IEEE802.11b/g/n /ac, ax detection
• 2.4GHz wireless technology	
Environmental conditions:	
• Temperature range for charging battery pack	0 °C (+32 °F) up to +40 °C (+104 °F)
• Max. Operating temperature (endurance tests)	0 °C (+32 °F) up to +40 °C (+104 °F)
• Max. Operating temperature (in battery mode)	-10 °C (+14 °F) up to +50 °C (+122 °F)
• Operating temperature (with power/car adapter)	0 °C (+32 °F) up to +40 °C (+104 °F)
• Storing Temperature	-20 °C (-4 °F) up to +60 °C (+140 °F)
• Relative humidity	Up to 95 %, non-condensing
Dimensions:	
• Size	H x W x D: 225 x 120 x 68mm (8.85 x 4.72 x 2.68 in)
• Weight	approx. 815 g (1.80 lbs) ARGUS incl. battery pack

data sheet: technical data subject to change.

Standard Package:		
Basic device incl. Selective xPON OPM, PON ID, WLAN management, Li-Ion battery pack, mains adaptor, shock absorbing rubber jacket, carrying case, SC/APC measuring cable		
Basic packages:		
• 3xOPM		Order number: 120602
• 4xOPM incl. Through Mode + Up-/Downstream measurement		Order number: 120632
• 5xOPM incl. Through Mode + Up-/Downstream measurement		Order number: 120612
Additional Options:		
• ONT simulation	sets the SW options GPON and/or XGS-PON-ONT simulation	Order number: 020601
• GPON transceiver	requires Art. No. 020601	Order number: 020602
• XGS-PON transceiver	requires Art. No. 020601	Order number: 020603
• Optical Light Source (1310, 1490, 1550, 1625 nm)	external	Order number: 000280
• Optical Light Source (1310, 1550 nm)	external	Order number: 000297
• Optical Loss Test inkl. 2λOLS	SW-Option Optical Loss Test & 2λOLS: 1310 & 1550 nm	Order number: 020061
• Optical Loss Test inkl. 4λOLS	SW-Option Optical Loss Test & 4λOLS: 1310, 1490, 1550, 1625 nm	Order number: 020062
• Visual Fault Locator(VFL)	external	Order number: 000281
• Fiber Inspection option	w/o Fiber Inspection Tool	Order number: 020694
• 2.4GHz wireless technology		Order number: 020661
* We would be glad to provide further details and information about additional accessories on request.		

data sheet: technical data subject to change.



GESELLSCHAFT FÜR
INFORMATIONSTECHNIK mbH

Rahmedstraße 90
D-58507 Lüdenscheid

Tel: +49 2351 9070-0
Fax: +49 2351 9070-70

E-Mail: sales@argus.info
Internet: www.argus.info/en / www.fibertester.de

 www.instagram.com/intec_argus

 www.facebook.com/intec.argus

 ARGUS testing the telecom network

 <https://www.linkedin.com/company/441568>